

**High Quality, Rugged Military Display**

The 29LM153D31MP-M Series of LCD monitors has been designed for industrial applications that require a compact XGA compatible monitor with good viewability. It is constructed from painted Aluminium, making it lightweight with good rigidity.

The 29LM153D31MP-M Series incorporates rugged chassis construction for shock and vibration. With wide viewing angles and deep dimming capabilities, this series of monitors is ideal for the more demanding of applications. The 31MP-M series has been designed to comply with military standards for shock & vibration and EMC.

**Features**

- Rugged Design for Vehicle Mounting
- Non-glare Glass Protection Screen, AR Coated
- High Brightness & Wide Viewing Angles
- Deep Dimming Capability
- VESA Standard Rear Fixing

## 15" Head Mount Military Monitor

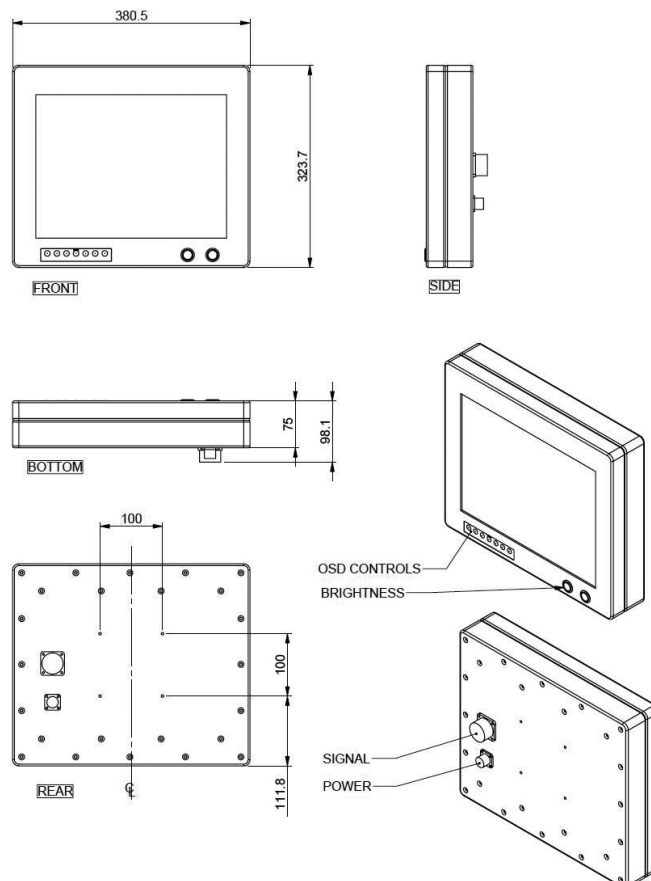
### 29LM153D31MP-M



Specifications: see next page

| Specifications             |   |                               |
|----------------------------|---|-------------------------------|
| TFT Characteristics        | Type  | 15" a-Si AM TFT               |
|                            | Max. Resolution                                     | 1024 x 768 pixels             |
|                            | Active Display Area                                 | 304.1 x 228.1 mm              |
|                            | Brightness  | 250 cd/m <sup>2</sup> typical |
|                            | Contrast Ratio                                      | 450:1 typical                 |
|                            | Viewing angles (at CR>10)                           | 130°, 110°                    |
|                            | Nr. of colours                                      | 16.7 million                  |
| Synchronisation Range      | Horizontal scan                                     | 15kHz (PAL) -63.81kHz         |
|                            | Vertical scan                                       | 56 - 60Hz                     |
| Connector                  | 8STO-12G35SN  |                               |
| Display Modes              | 640 x 480, 800 x 600, 1024 x 768 (recommended mode) |                               |
| Controls                   | Front and Rear Panel                                |                               |
| Power supply / consumption | 15 - 30VDC / 50W (Max)                              |                               |
| Environmental              | Operating Temp                                      | -10 to +55 °C                 |
|                            | Storage Temp  | -20 to +60 °C                 |
|                            | Operating Humidity                                  | 50% to 90% (non condensing)   |
|                            | Storage Humidity                                    | 28% to 90% (non condensing)   |
| Approvals                  | Emission  | Mil-STD-461E                  |
|                            | Immunity  | Mil-STD-461E                  |
|                            | Safety  | EN60950                       |
|                            | Shock   | Mil-STD-810F                  |
|                            | Vibration   | Mil-STD-810F                  |
|                            | Marine  | IEC 60945                     |
| Dimensions                 | Monitor   | 380 x 324 x 75mm (approx)     |
|                            | Weight  | 10kg approx                   |
| Housing                    | Aluminium   |                               |
| Sealing                    | IP65 min  |                               |
| Part numbers               |   |                               |
| Model                      | 29LM153D31MP-M                                      |                               |
| AC monitor                 | 29LM153A31MP-M                                      |                               |
| AC Touchscreen (resistive) | 29LM153AR31MP-M                                     |                               |
| DC Touchscreen (resistive) | 29LM153DR31MP-M                                     |                               |

Specifications are subject to change without notice.



## • Monitors

- Desktop Monitors
- Large screen Monitors
- Custom-made Monitors
- 19" Rack Mount Monitors
- Rear Mount Monitors
- Monitors for Panel Mount
- Monitors for VESA Mount
- Kiosks
- Accessories

## • Monitors – Specific applications

- Stainless Steel Monitors
- Car Displays
- Marine Monitors
- Military Monitors
- Replacement Monitors
- Train Monitors

## • Panel PC's

- High Performance Systems
- Custom made Panel PC's
- Low Power Systems
- Extreme environments

## • Pointing devices

- Accessories
- Touchpads
- Trackballs
- Trackball Modules
- Joysticks
- Custom made Pointing Devices

## • Keyboards

- Desktop Keyboards with or without pointer
- Built-in Keyboards with or without pointer
- Cables & Connectors
- Custom made Keyboards



Mulder-Hardenberg, est. 1927, is the answer to professional demands in the domain of electronic related environments. We don't just sell products. We use our multidiscipline knowledge to provide the best possible solution, designed to your specific interest.

### Contact details:

The Netherlands  
 Mulder-Hardenberg B.V.  
 Westerhoutpark 1a  
 2012 JL Haarlem  
 Tel.: +31 23 531 91 84  
 infoNL@m-h.biz

Belgium, France, Luxemburg  
 Mulder-Hardenberg N.V.  
 Hoge Weg 129  
 B-2940 Stabroek  
 Belgium  
 Tel.: +32 3 660 13 20  
 infoBE@m-h.biz

Germany  
 Mulder-Hardenberg GmbH  
 Nordring 13  
 D-65719 Hofheim/Ts  
 Tel.: +49 6192 - 97 91 85  
 infoDE@m-h.biz